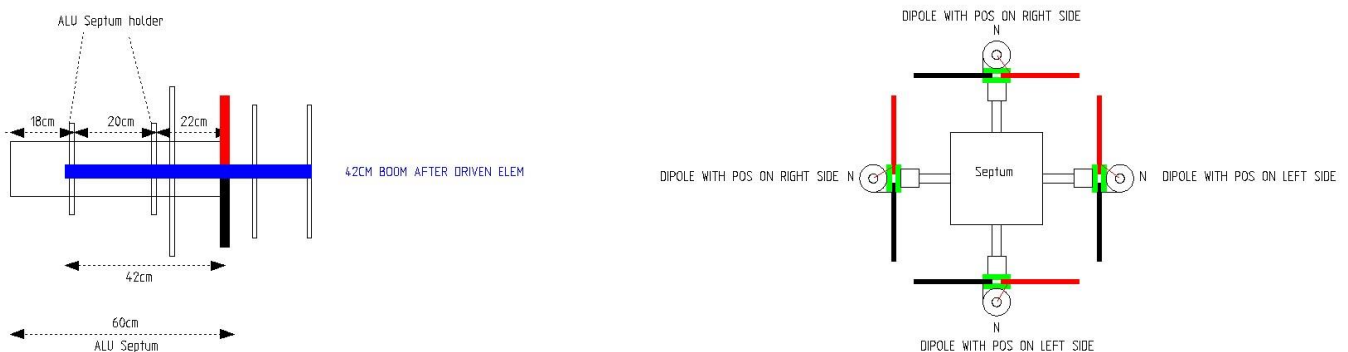


**Adding 70 cm V+H to my 15ft dish F/D = 0.45 without removing the 23cm Septum feed.**

**So far my 70cm setup consisted of 4 x 432WL13 from M<sup>2</sup> and worked 87 DXCC with this setup BUT missing Vertical on 70cm is a big disadvantage. The solution would be to replace the septum with a rotatable ring feed. Since I work 95% of the time my EME setups via remote control @ home this solution isn't exactly what I needed and certainly not to change feeds at night on the roof with a ladder.**

**I was aware of the dual 70/23cm feeds from vk3um and others but these were always round feeds on 23cm and not a septum in the center. I contacted Goran YU1CF if he could make calculations for 4 x 4 Elem with a Septum feed in the center.**



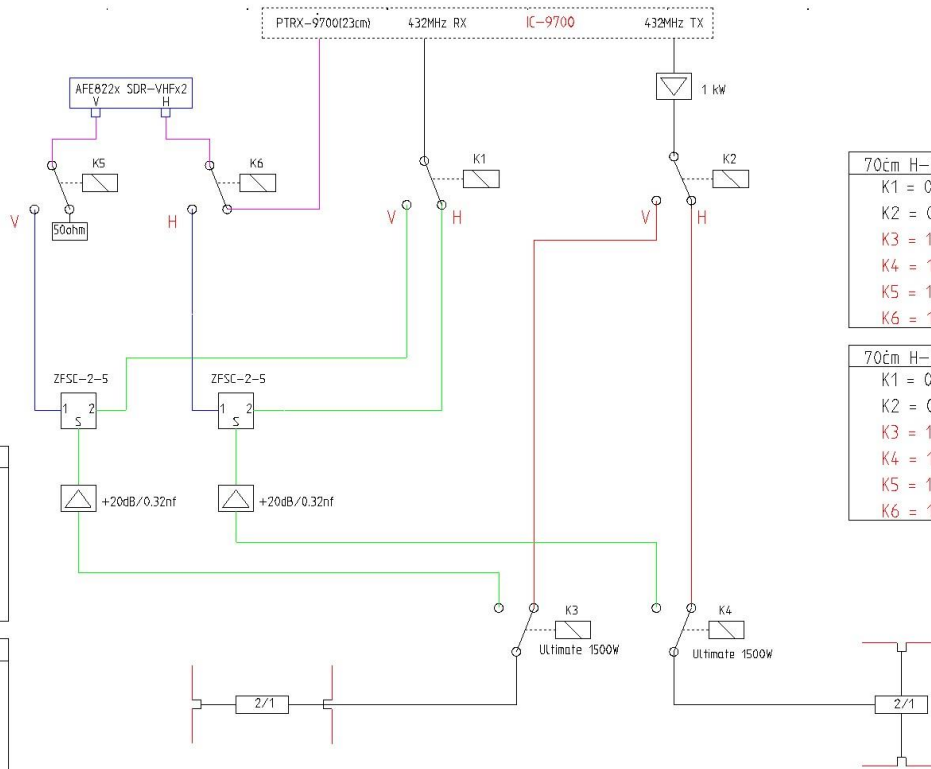
**After many hours (@ no charge) Goran found the best solution for my setup. Probably I will lose a little on 23cm but with the European and Caribbean trips from Alex EA8DBM I have now 104 DXCC on 1296MHz.**

**As a result of the above 70cm gets some more priority now 😊.**

**First attempts will be controlled by my own software  
With fool proof protection not allowing switching in TX 😊**



23cm
K1 = 0
K2 = 0
K3 = 0
K4 = 0
K5 = 0
K6 = 0



70cm H-RX	70cm H-TX
K1 = 0	K1 = 0
K2 = 0	K2 = 0
K3 = 1	K3 = 0
K4 = 1	K4 = 0
K5 = 1	K5 = 0
K6 = 1	K6 = 0

70cm H-RX	70cm V-TX
K1 = 0	K1 = 0
K2 = 0	K2 = 1
K3 = 1	K3 = 0
K4 = 1	K4 = 0
K5 = 1	K5 = 0
K6 = 1	K6 = 0

70cm V-RX	70cm H-TX
K1 = 1	K1 = 0
K2 = 1	K2 = 0
K3 = 1	K3 = 0
K4 = 1	K4 = 0
K5 = 1	K5 = 0
K6 = 1	K6 = 0

70cm V-RX	70cm V-TX
K1 = 1	K1 = 1
K2 = 1	K2 = 1
K3 = 1	K3 = 0
K4 = 1	K4 = 0
K5 = 1	K5 = 0
K6 = 1	K6 = 0

**TX = 13.8 V OFF @ K3+K4**

**New setup to do list:**

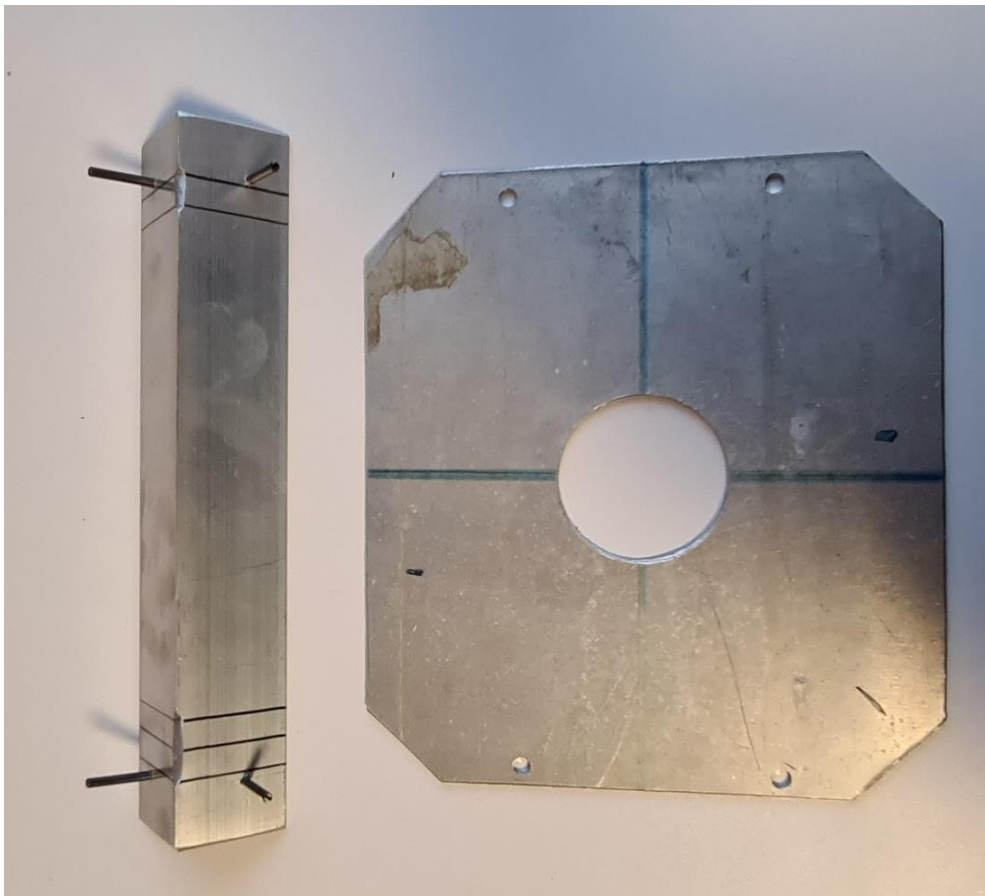
**Replace the existing 4 aluminum tubes that hold my feed with fiber poles.  
Modifying my spare RFhamdesign CLX-05 mounting bracket to my needs.**



**Since I work 95% of the time alone I needed some helping tools to position  
The mounting bracket in the center @ the correct distance so I added 2 removable  
plates to the CLX-05 bracket.**



**All parts are home made in Aluminum or RVS**





**Preview with 1 x 4 elem in H position**



**Fiber poles need to be +/- 2.70m long  
4 x 2m long 31.6mm diameter 3mm wall  
4 x 1m long 25.4mm diameter 3mm wall  
4 x 20cm long 25.4mm diameter 3mm wall**



## Smallest fibers installed

